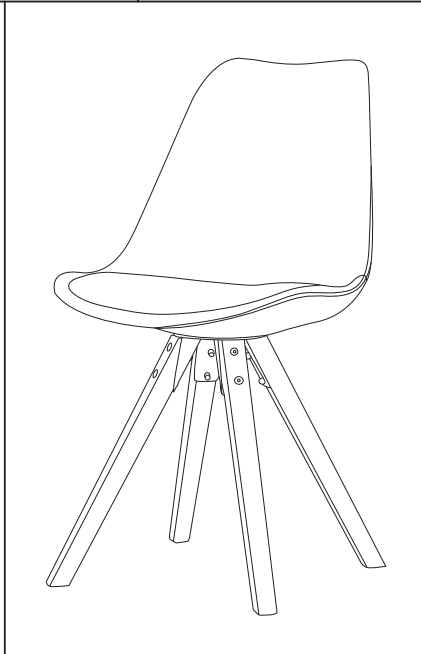
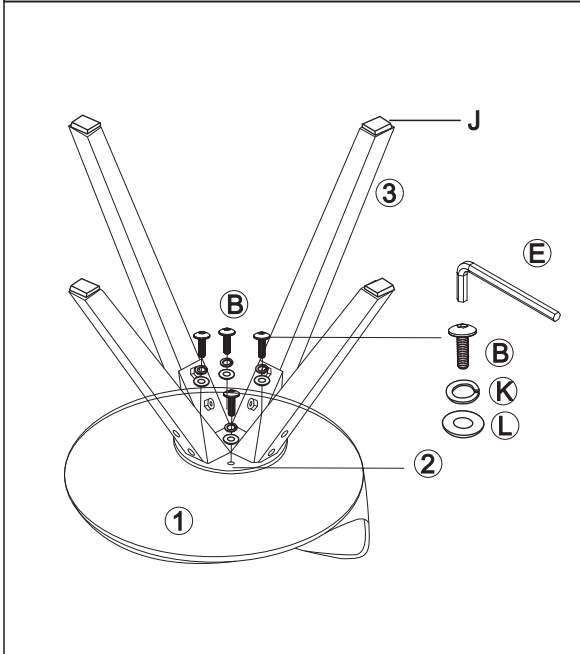
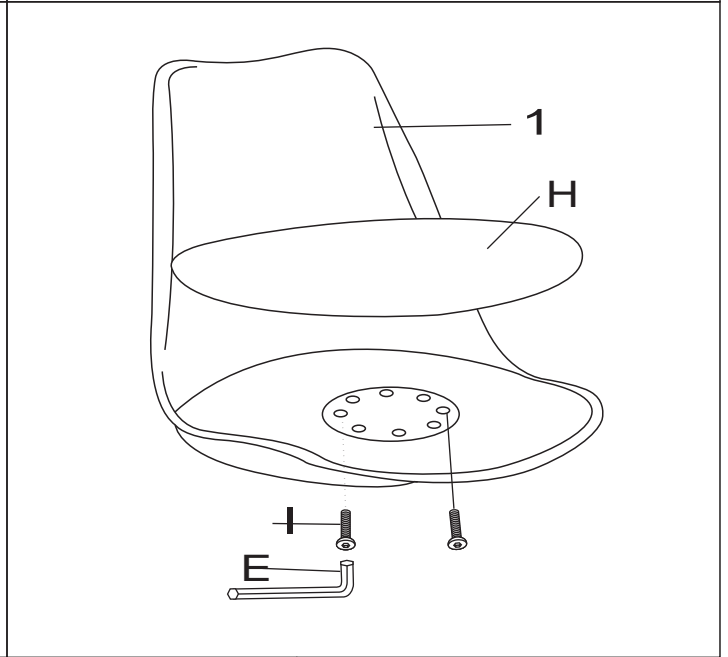
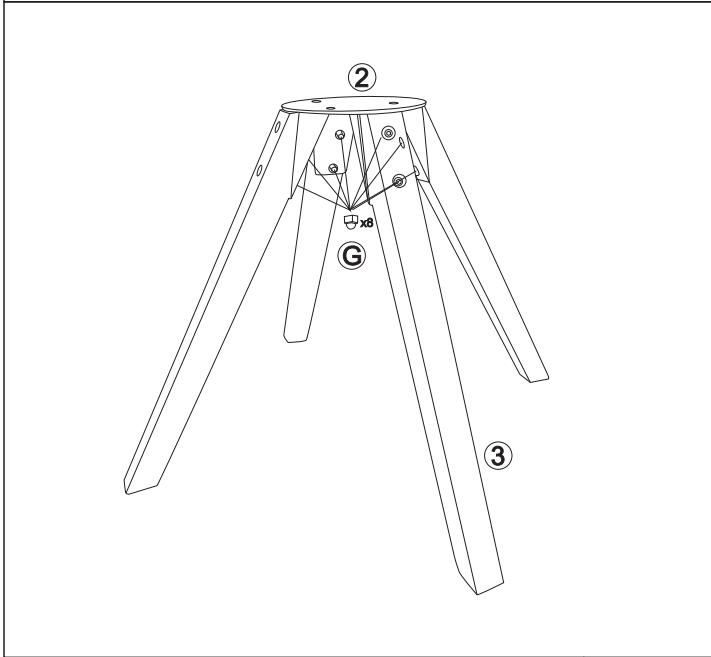
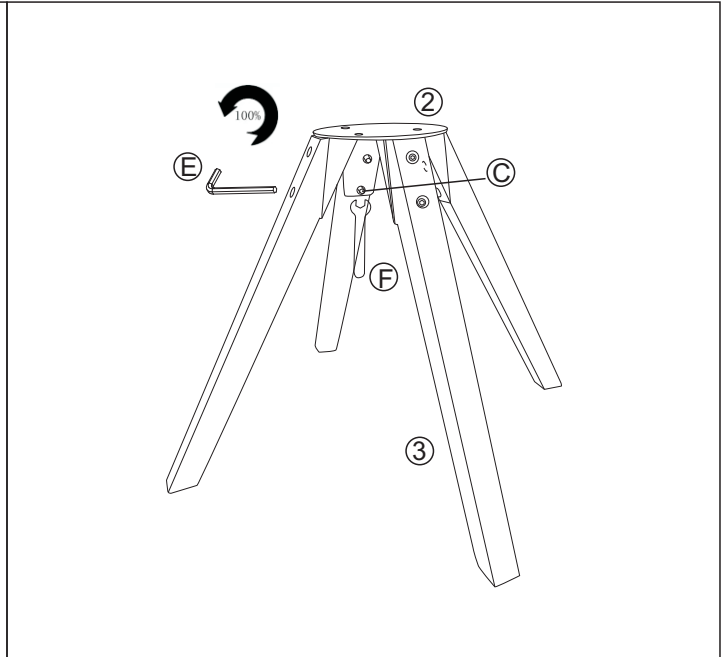
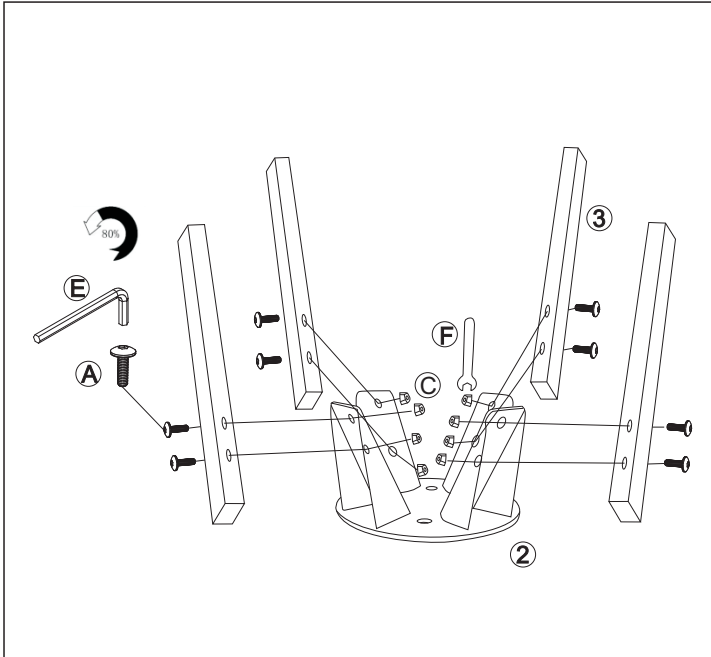


# Assembly Instruction



1x1	2x1	3x4
Ax8	Bx4	Cx8
Ex1	Fx1	Gx8
Hx1	Ix2	Jx4
Kx4	Lx4	